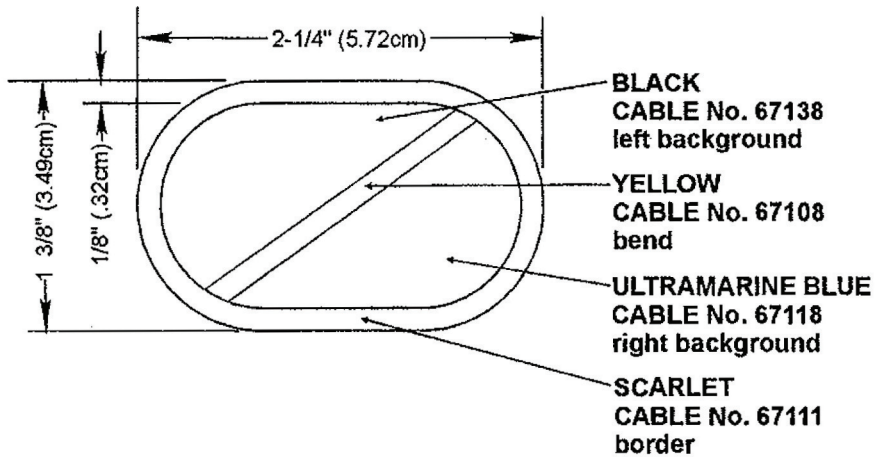




REVISIONS			
LTR	DESCRIPTION	DATE	APPROVED



DESIGNED FOR OVEREDGE STITCHING

UNLESS OTHERWISE SPECIFIED DIMENSIONS ARE IN INCHES TOLERANCES ON FRACTIONS DECIMALS ANGLES			THE INSTITUTE OF HERALDRY, DEPARTMENT OF THE ARMY 9325 GUNSTON RD, RM S-113 FORT BELVOIR, VA 22060-5579	
	EXAMINED	PC	BACKGROUND TRIMMING FOR USA SPECIAL OPERATIONS AVIATION COMMAND	
CHECKED	AW 500			
MATERIALS: TO BE MANUFACTURED IN ACCORDANCE WITH MIL-DTL-14652	PREPARED	CLW	SIZE	CONTROL IDENT. NO
	APPROVED	<i>Charles V. Mugno</i> CHARLES V. MUGNO DIRECTOR	A	22571
			SCALE	DATE
			FULL	28 MARCH 2013
			A-6-308	

